



Honesty•Efficiency•Supremacy

Welding Magnet



厦门顶磁磁业有限公司

XIAMEN KINGS MAGNET CO., LTD

Welding Magnet

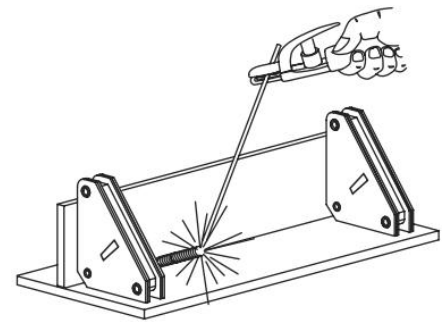
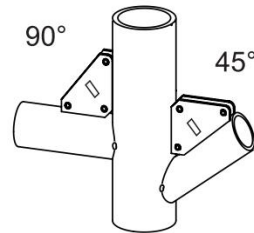
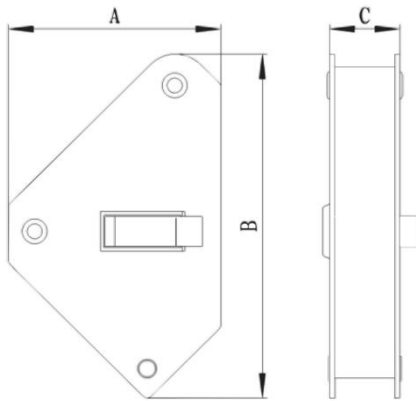
1. Single Switch Welding Magnet

Application:

Suitable to welding fix the inside square corner of various magnetic material.

Features:

- 1.A switch controls the magnetic force of the welding magnet.
- 2.Fast and safe set-up.
- 3.Easy to clean. Simply turn off and wipe.



Model	Dimension(mm)			Angles	Net Weight (kg)	Pull Off Force (kg)
	A	B	C			
KM1-4590S	95	111	28	45°/90°	0.6	30
KM1-4590L	130	152	35	45°/90°	1.4	55

2. Dual-Use Welding Magnet

Application:

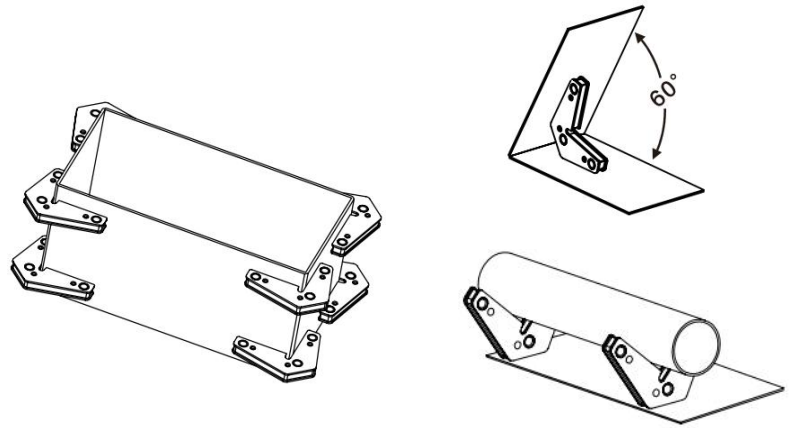
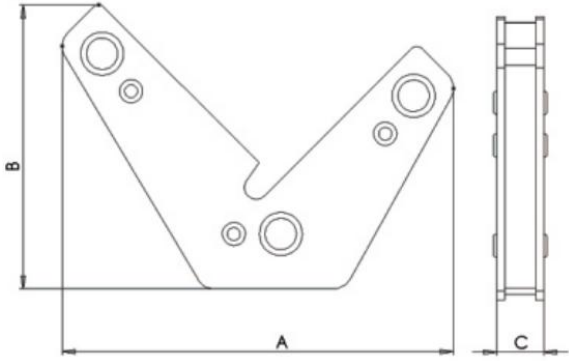
Ideal for ferrous metal holding for welding jobs in hardware processing and construction industry.

Features:

- 1.Create 90° corners by holding from the outside, providing you with an unobstructed area for inside tack welds.
- 2.Use its out edge to set up materials at 60°.



Welding Magnet



Model	Dimension(mm)			Angles	Net Weight (kg)	Pull Off Force (kg)
	A	B	C			
KM3-6090S	100	73	12	60°/90°	0.38/pair	17

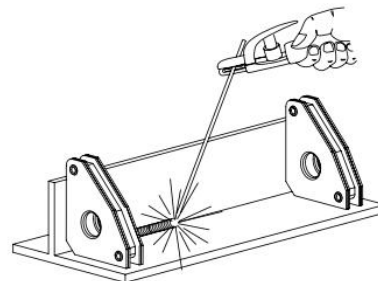
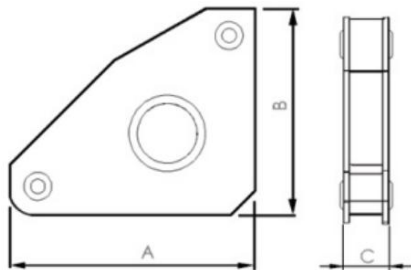
3.Multi-Angle Welding Magnet

Application:

Ideal for ferrous metal holding for welding jobs in hardware processing and construction industry.

Features:

- 1.This magnet welding fixer has 30°/60°edge as well as the standard 45°and right angle (90°) edge.
- 2.The center hole makes it easier to handle.
- 3.There are two small riveted holes for linking magnets together to add extra strength to the job.



Model	Dimension(mm)			Angles	Net Weight (kg)	Pull Off Force (kg)
	A	B	C			
KM4-304590S	59	50	12	30°/45°/60°/90°	0.22/pair	15
KM4-304590M	110	95	18		0.46	40
KM4-304590L	150	130	18		0.78	55

Welding Magnet

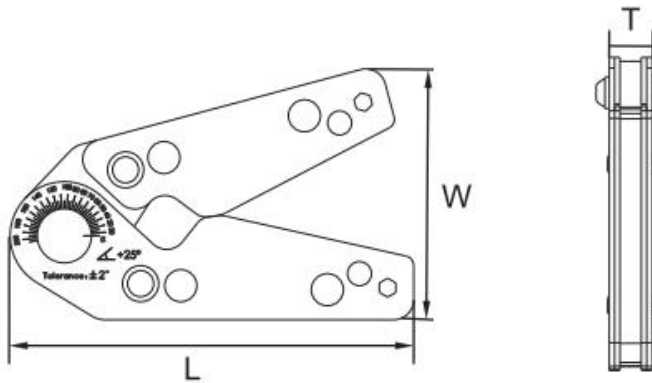
4.Adjustable Angles Welding Magnet

Application:

Ideal for ferrous metal holding for welding jobs in hardware processing and construction industry.

Features:

- 1.This adjustable angle magnet offer clear scale display, hold metal at 20°-200°for welding and fabrication.
- 2.Use hex wrench for lock variable angles, both inside and outside have strong magnetics.



Model	Dimension(mm)			Angles	Net Weight (kg)	Pull Off Force (kg)
	L	W	T			
KM10-S	110	63	14	20°-200°	0.25	22
KM10-M	120	78	16	20°-200°	0.4	35

5.Adjustable Angles Dual Switch Welding Magnet

Application:

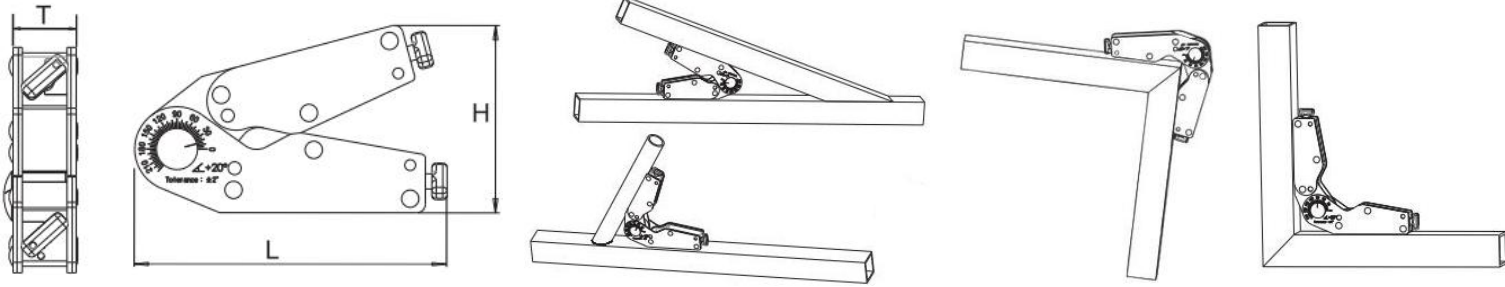
Ideal for ferrous metal holding for welding jobs in hardware processing and construction industry.

Features:

1. Two On/Off switches for independent operation, easy and safe to set up.
- 2.With clear degree scale, setting up angles at 15°-210°by holding from outside/inside.
- 3.Lock at any angles with the hex wrench we supplied together with magnet.



Welding Magnet



Model	Dimension(mm)			Angles	Net Weight (kg)	Pull Off Force (kg)
	L	H	T			
KM11-S	144	87	24	15°-210°	0.7	30
KM11-M	168	104	31	15°-210°	1.2	50

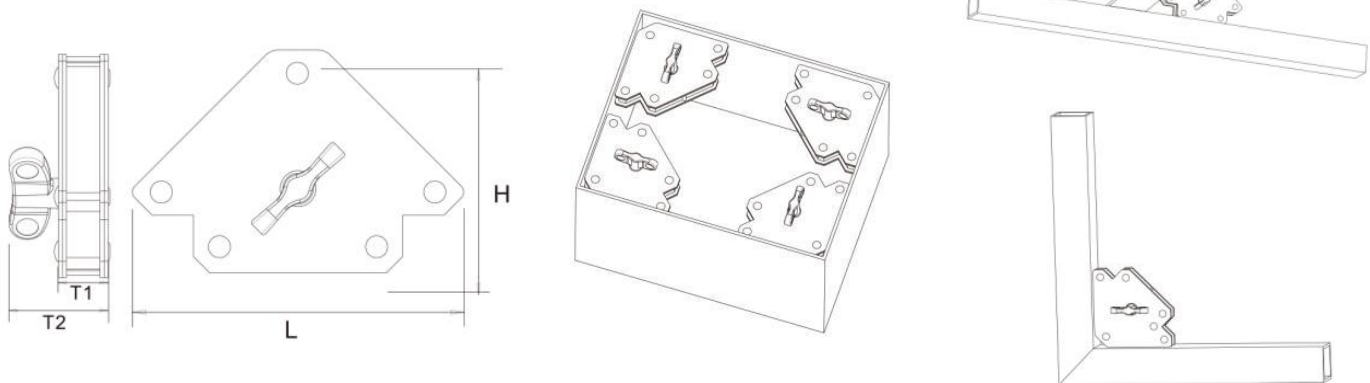
6.Switchable Arrow Welding Magnet

Application:

Suitable for welding fix the various of welding job, such as pipe assemble, frame construction and tank welding.

Features:

- 1.Unique design use strong neodymium and ferrite magnet.
- 2.Multi-angle design for fixing at 45°, 90°, 135°.
- 3.On/Off switch to control the magnet, all three sides have strong magnetic force.



Model	Dimension(mm)				Angles	Net Weight (kg)	Pull Off Force (kg)
	L	H	T1	T2			
KM12-S	105	69	21	37	45°/90°/135°	0.33	25
KM12-M	135	88	21	40	45°/90°/135°	0.57	42
KM12-L	175	111	26	50	45°/90°/135°	1.23	80

Welding Magnet

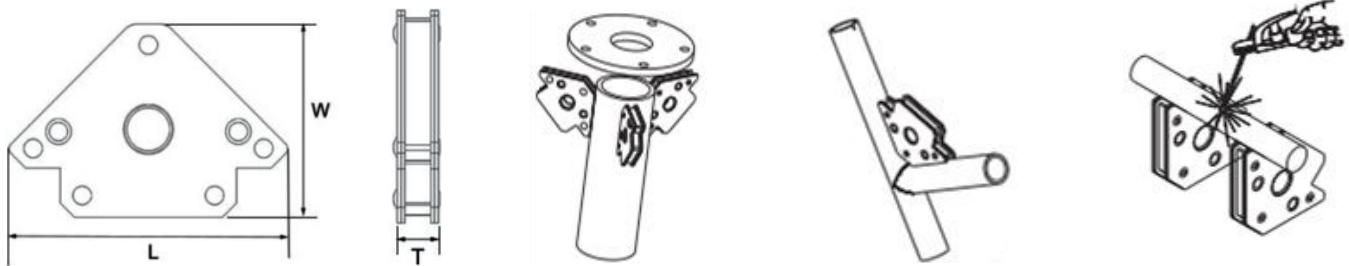
7. Arrow Welding Magnet

Application:

Can be used for welding, soldering, pipe installation, assembly, magnetic pick-up tool etc.

Features:

- 1.Strong ferrite magnet encased in durable steel casing and reinforced with rivets.
- 2.Multi-angle design can be used at 45°, 90° or 135°.



Model	Dimension(mm)			Angles	Net Weight (kg)	Pull Off Force (kg)
	L	W	T			
KM1-XS	80	54	12	45°/90°/135°	0.12	13
KM1-S	121	83	18	45°/90°/135°	0.4	25
KM1-M	163	112	23	45°/90°/135°	0.85	50
KM1-L	198	136	27	45°/90°/135°	1.4	75

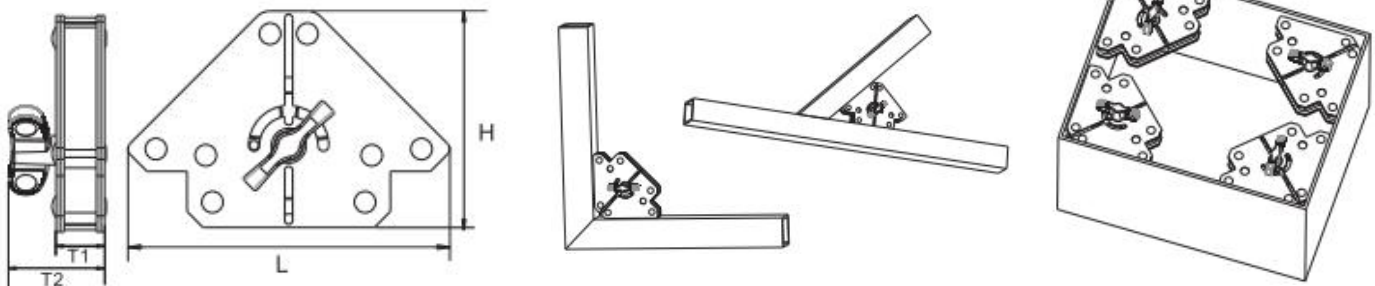
8. Switchable Arrow Welding Magnet

Application:

Can be used for welding, soldering, pipe installation, assembly, magnetic pick-up tool etc.

Features:

- 1.With On/Off switch, easy and safe to set up.
- 2.Strong ferrite magnet encased in durable steel casing and reinforced with rivets.
- 3.Multi-angle design can be used at 45°, 90° or 135°.



Welding Magnet

Model	Dimension(mm)				Angles	Net Weight (kg)	Pull Off Force (kg)
	L	H	T1	T2			
KM3-S	120	81	18	36	45°/90°/135°	0.43	15-20
KM3-M	160	108	21	39	45°/90°/135°	0.85	30-50

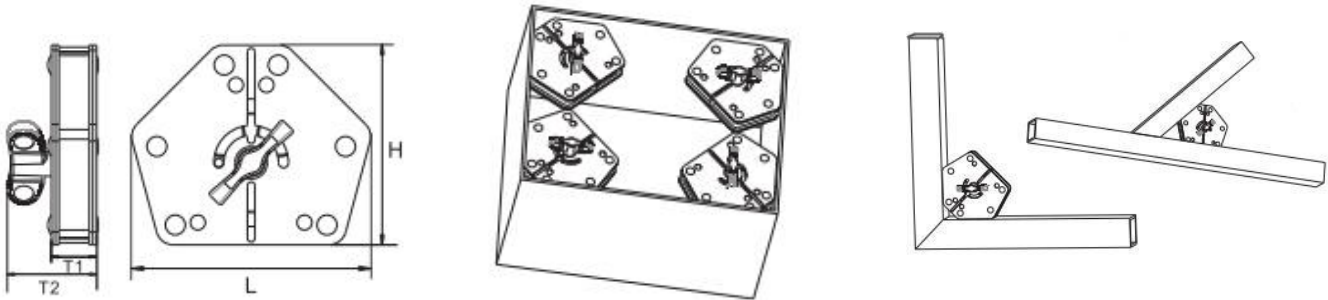
9. Switchable Hexagon Welding Magnet

Application:

Can be used for welding, soldering, pipe installation, assembly, magnetic pick-up tool etc.

Features:

1. With On/Off switch, easy and safe to set up.
2. Strong ferrite magnet encased in durable steel casing and reinforced with rivets.
3. Multi-angle design can be used at 30°, 45°, 60°, 75°, 90° or 105°.



Model	Dimension(mm)				Angles	Net Weight (kg)	Pull Off Force (kg)
	L	H	T1	T2			
KM4-S	96	80	18	36	30°/45°/60°	0.5	15-20
KM4-M	123	103	21	39	75°/90°/105°	1	30-40

10. Magnetic Welding Ground Clamp

Application:

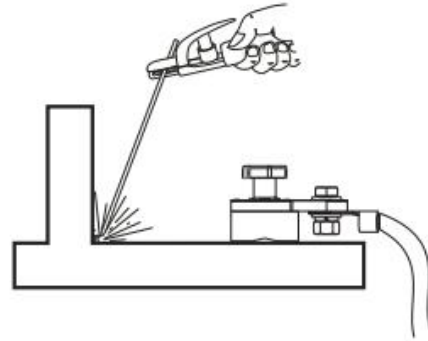
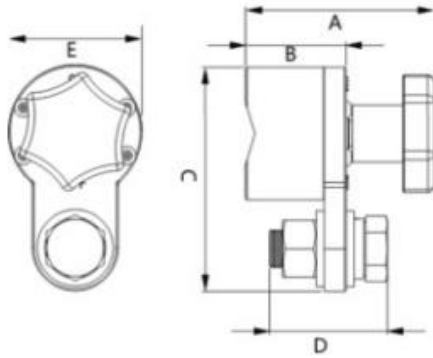
This Welding Ground Clamp is designed to hold a ground cable to any ferro-magnetic surface. Using patented technology, this device has strong holding power as well as a great amount of shear force holding strength to reduce sideways movement.

Features:

1. Applicable to clamp both flat and round workpieces.
2. Simple operation. On/Off controlled by the switch.
3. Time and cost saving.



Welding Magnet



Model	Dimension(mm)					Current	Net Weight (kg)	Pull Off Force (kg)
	A	B	C	D	E			
KWGC1-200	60	32	64	36	35	200	0.27	30
KWGC1-300	60	32	71	36	42	300	0.37	40
KWGC1-600	62	34	95	36	55	600	0.54	70